

Underpressure drilling tapping saddle for metal pipes e.g. ductile iron, cast iron, asbestos cement and steel
 BSP threads 1/2", 3/4", 1", 1 1/4", 1 1/2" and 2"

Use:

For water to max. 70° C

Options:

Other thread e.g. NPT
 Enamel internally
 Other spindle sizes
 Support washers in Stainless steel

Quality:

Supplier certified according to NEN-EN-ISO 9001 certificate

Materials:

Saddle head	Ductile iron GGG-40
Coating	Electrostatically applied epoxy resin to DIN 30677-2 - internally and externally
Body top part, shaft cutter, top part nut, spindle nut and valve seat	Brass, CZ 132 to BS 2872
Stem and spring	Stainless steel AISI 420
Stem sealing	NBR wiper ring, 2 NBR O-rings inside and 2 outside a plastic bearing
Valve seal and low friction ring	POM
Cutter	H.S.S.
Gasket, dust seal and O-rings	NBR rubber
Stirrup*	Stainless steel A2 with rubber lining of NBR and bolts, nuts and washers of stainless steel A2

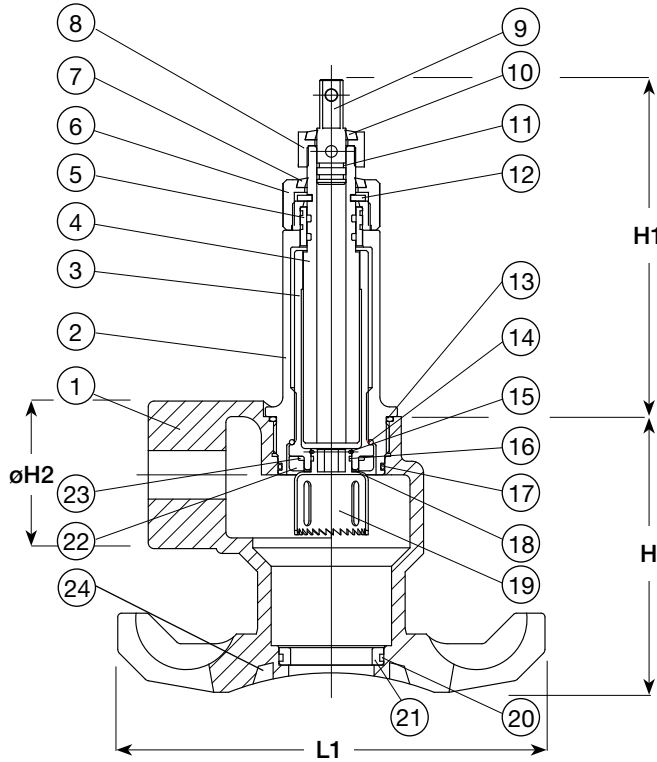
* to be ordered separately



Stirrup*

Underpressure drilling tapping saddle for metal pipes e.g. ductile iron, cast iron, asbestos cement and steel
 BSP threads 1/2", 3/4", 1", 1 1/4", 1 1/2" and 2"

- | | | |
|---------------------------|---------------------------|----------------|
| 1. Saddle head | 10. Dust seal spindle nut | 19. Cutter |
| 2. Body top part | 11. O-ring | 20. O-ring |
| 3. Shaft cutter | 12. Cutted ring | 21. Valve seat |
| 4. Stem | 13. O-ring | 22. Valve seal |
| 5. Bearing with 2 O-rings | 14. O-ring | 23. O-ring |
| 6. Top part nut | 15. Spring | 24. Gasket |
| 7. Dust seal top part | 16. O-ring | |
| 8. Spindle nut | 17. O-ring | |
| 9. Spindle top | 18. Lowfric ring | |



Article no.	Diameter mm	H mm	H1 mm	H2 mm	L1 mm	Weight kg
727-08-XX-200YZ	80-300	140	175	76	220	6.30

XX: 01 = BSP 1/2" 07 = NPT 1/2" Y: 0 = Clockwise to close (CTC)
 02 = BSP 3/4" 08 = NPT 3/4" 1 = Clockwise to open (CTO)
 03 = BSP 1" 09 = NPT 1" Z: 0 = Blue epoxy coating
 04 = BSP 1 1/4" 10 = NPT 1 1/4" 7 = Epoxy coating outside / enamelled inside
 05 = BSP 1 1/2" 11 = NPT 1 1/2"
 06 = BSP 2" 12 = NPT 2"

Article no.	Description	DN	Range in mm
730-6-118-0YZ	Stirrup	80	88-118
730-6-133-0YZ	Stirrup	100	105-133
730-6-156-0YZ	Stirrup	125	130-156
730-6-186-0YZ	Stirrup	150	155-186
730-6-216-0YZ	Stirrup	175	180-216
730-6-244-0YZ	Stirrup	200	210-244
730-6-266-0YZ	Stirrup	225	240-266
730-6-298-0YZ	Stirrup	250	260-298
730-6-330-0YZ	Stirrup	275	299-330
730-6-345-0YZ	Stirrup	300	315-345

Stirrup material:
 Y: 2 = AISI 304 with inner rubber lining
 4 = AISI 316 with inner rubber lining

Stirrup width:
 Z: 1 = 50 mm
 3 = 60 mm

